

## 4.5 cu. ft. All-in-One Washer & Dryer Combo

- All-in-One Washer/Dryer Combination
- Ventless Condensing Drying
- 4.5 cu. ft. Ultra Large Capacity
- TurboWash® Technology
- Steam Technology & Allergiene™ Cycle
- 14 Cycles / 12 Options
- Internal Heater
- ColdWash™ Option
- Direct Drive Motor (10-Year Limited Warranty)
- NeveRust™ Stainless Steel Drum
- LG ThinQ® Technology (Wi-Fi)



### COLOR AVAILABILITY

● WM3998HBA – Black Steel

### CAPACITY & MATCHING DRYERS

Capacity (cu. ft.)	4.5
Matching Electric Dryer	N/A
Matching Gas Dryer	N/A

### APPEARANCE

Electronic Controls with LED Display	Yes
Hard Buttons	Yes
Touch Buttons	Yes
Dial-A-Cycle™	Yes

### ENERGY & WATER

ENERGY STAR® Qualified	No
CEE Qualified	No
Integrated Modified Energy Factor (IMEF)	2.4
Integrated Water Factor (IWF)	3.7

### WASH CYCLES

Number of Cycles	14
Wash Cycles	Normal, Heavy Duty, Bedding, Bright Whites, Sanitary, Allergiene, Tub Clean, Towels, Perm. Press, Sportswear, Delicates, Speed Wash, Drain+Spin, Downloaded

### WASH OPTIONS

Number of Options	12
Options	Steam, Fresh Care, Cold Wash, Delay Wash, Remote Start, Wi-Fi, TurboWash®, Rinse+Spin, Extra Rinse, Add Garments, Pre Wash, Control Lock

### WASH DETAILS

Internal Heater	Yes
Number of Wash/Rinse Temps	5
Wash/Rinse Temps	Extra Hot, Hot, Warm, Cold, Tap Cold
Number of Spin Speeds	5
Spin Speeds	Extra High, High, Medium, Low, No Spin
Max RPM	1,300
Water Levels	Load Sensing
Number of Soil Levels	5
AAFA Certified	Yes

### DRY DETAILS

Ventless Condensing Drying	Yes
Automatic Dry Cycles	Normal Dry, Turbo Dry
Time Drying	Yes
Normal Drying	Yes
Turbo Drying	Yes

### FABRIC CARE

AI DD™	No
Wash Technology	TurboWash® 2.0
Steam Technology	Yes
Allergiene™ Cycle	Yes
Sanitary Cycle	Yes
ColdWash™ Option	Yes
SenseClean™ System	Yes

### CONVENIENCE

TrueBalance™ Anti-Vibration System	Yes
Dispenser Type	4-Tray (Prewash, Main Wash with Liquid Detergent Cup, Bleach, Fabric Softener)
LoDecibel™ Quiet Operation	Yes
End of Cycle Signal	Yes

### CONVENIENCE CONTINUED

LoadSense	Yes
Child Lock	Yes
Auto Suds Removal	Yes
4 Adjustable Leveling Legs	Yes
Easy Loading TiLTub™	Yes
ADA Compliant	No

### SMART FEATURES

Wi-Fi Enabled	Yes
ThinQ®	Yes
ThinQ Care	Yes
Voice Control	Google Assistant, Amazon Alexa
SmartDiagnosis™	Yes
Remote Start and Cycle Monitor	Yes

### MOTOR AND AGITATOR

Motor Type	Inverter Direct Drive Motor
Axis	Horizontal

### MATERIALS AND FINISHES

NeveRust™ Stainless Steel Drum	Yes
Door / Rim	Glass / Chrome
Door Cover	Black Tinted Round Cover

### TECHNICAL SPECS

Electrical Requirements	120V, 60 Hz, 10 Amps
Type	Electric
Power Outlet Location	Within 60" of Either Side
Plug Type	3-Prong (Cord Attached to Unit)
Min. / Max. Water Pressure	20 - 120 psi

### INCLUDED ACCESSORIES

Drain Hose, Non-Skid Pads, Hole Caps, Wrench, Tie Strap, Elbow Bracket (for Securing Drain Hose)

### OPTIONAL ACCESSORIES

Pedestal	WDP4B
Pedestal (W x H x D)	27" x 13 5/8" x 28"
ADA-Compliant Pedestal Riser	WDPS1B
ADA-Compliant Pedestal Riser (W x H x D)	27" x 5 1/8" x 27"
LG Sidekick™ Pedestal Washer	WD100CB
LG Sidekick™ Pedestal Washer (W x H x D)	27" x 14 1/8" x 30 3/4"
Stacking Kit	KSTK1

### DIMENSIONS

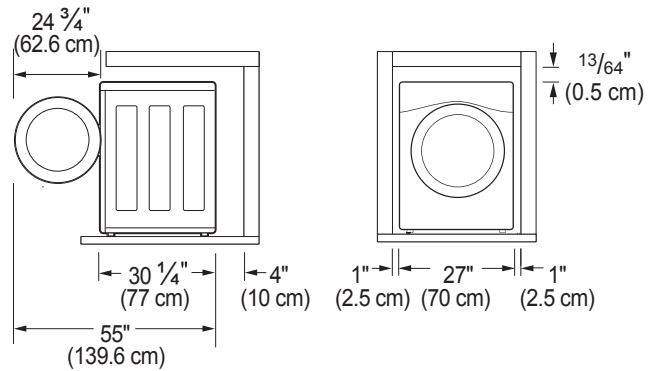
Product (W x H x D)	27" x 39" x 30 1/4"
Depth with Door Open	55"
Cutout Dimensions (W x H x D)	29" x 39 3/16" x 34 1/4"
Carton Dimensions (W x H x D)	29 23/32" x 41 27/32" x 31 17/32"
Approx. Weight (Product / Carton)	213.8 lbs. / 235.9 lbs.

### LIMITED WARRANTY

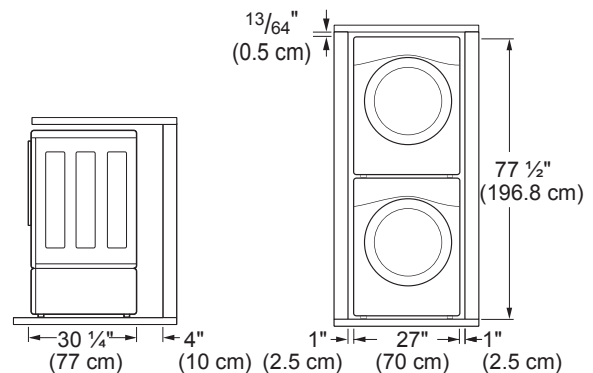
Parts and Labor	1 Year
Direct Drive Motor	10 Years (Parts Only)
Drum	3 Years (Parts Only)

### DIMENSIONS / CLEARANCES

#### FLOOR INSTALLATION



#### STACKING OR PEDESTAL INSTALLATION



#### INSTALLATION NOTES

- To ensure sufficient clearance for water lines, the drain line and airflow, allow minimum clearances of at least 1 inch (2.5 cm) at the sides. Be sure to allow for wall, door, or floor moldings that may increase the required clearances.
- Install the washing machine on a solid floor that is strong and rigid enough to support the weight of the washing machine, even when fully loaded, without flexing or bouncing. If the floor has too much flex, you may need to reinforce it to make it more rigid. If the floor is not solid, it may cause severe vibration and noise.
- If installing with an optional pedestal or SideKick™, refer to the instructions packaged with pedestals for dimensions and clearances.

ASTHMA & ALLERGY FRIENDLY Mark is a Registered Trade Mark of the ASTHMA AND ALLERGY FOUNDATION OF AMERICA and ALLERGY STANDARDS LTD.



© 2022 LG Electronics USA, Inc. All rights reserved. "LG Life's Good" is a registered trademark of LG Corp. All other product and brand names are trademarks or registered trademarks of their respective owners. Design, features and specifications are subject to change without notice. Non-metric weights and measurements are approximate. Some features may require Internet access. Content and services may vary by product and are subject to change without notice.